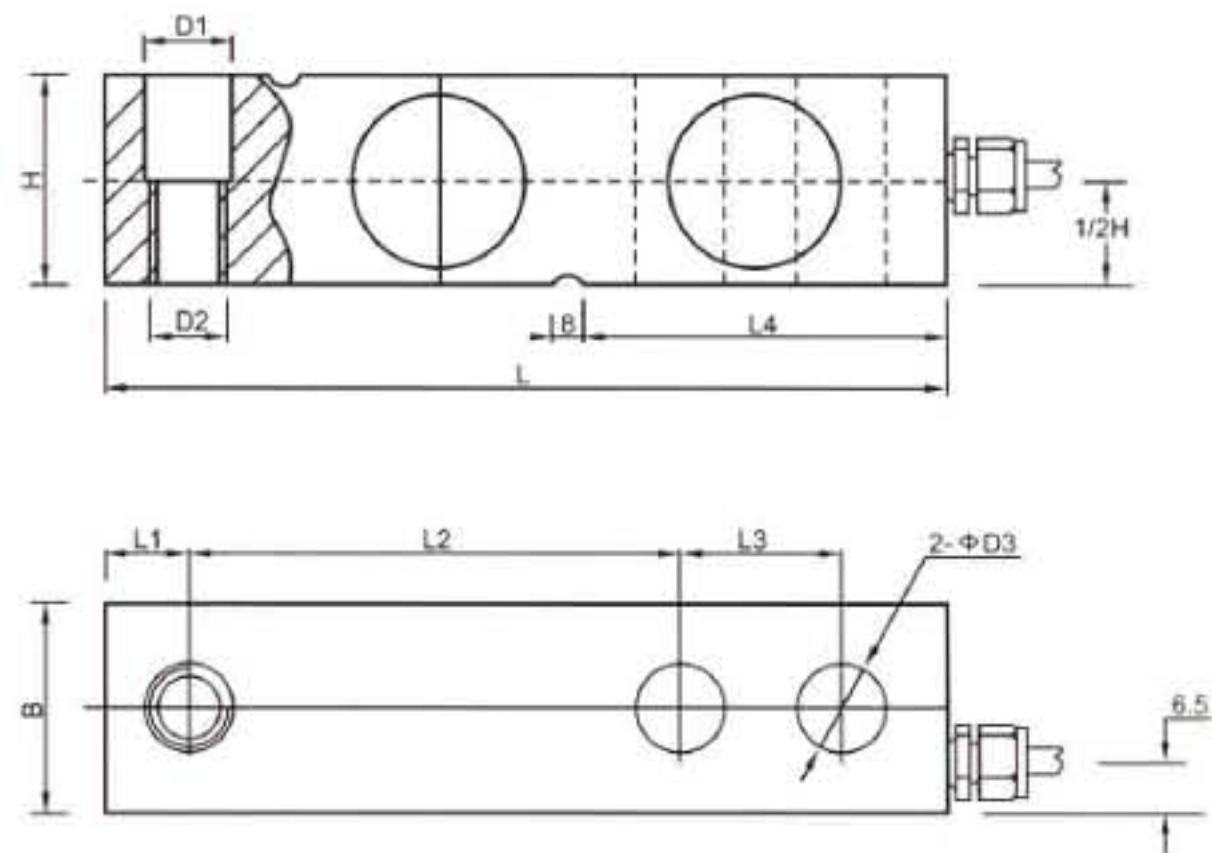


SLP2 Single Ended Shear Beam

Stainless Steel



SPECIFICATIONS :

Rated Output	$2 \pm 0.01 \text{ mV/V FS}$
Nonlinearity	$\pm 0.02\% \text{ FS}$
Hysteresis	$\pm 0.02\% \text{ FS}$
Repeatability	$\pm 0.02\% \text{ FS}$
Creep	$\pm 0.02\% \text{ FS/30min}$
Zero Balance	$\pm 1\% \text{ FS}$
Temperature Effect On Zero	$\pm 0.02\% \text{ FS/10}^\circ\text{C}$
Temperature Effect On Rated Output	$\pm 0.02\% \text{ FS/10}^\circ\text{C}$
Input Resistance	$400 \pm 10 \Omega$
Output Resistance	$352 \pm 2 \Omega$
Insulation Resistance	$\geq 5000 \text{ M}\Omega$
Excitation Voltage	10(Recommended), 15(Max)VDC/AC
Compensated Temperature Range	$-10 \text{ to } + 50^\circ\text{C}$
Operating Temperature Range	$-20 \text{ to } + 60^\circ\text{C}$
Safe Overload	150% FS
Ultimate Overload	300% FS
Protection Class	IP 68
Cable Length	$\varnothing 5 \text{ mm/4m}$
Cable Color Code	Red + Excitation, Black -Excitation, Green + Signal, White -Signal

DIMENSIONS :

Capacity	mm									
	L	L1	L2	L3	L4	H	B	D1	D2	D3
t 0.5, 1, 1.5, 2.5	130.0	12.7	76.2	25.4	50.5	32.0	32.0	$\varnothing 13.5$	M12	$\varnothing 13.5$
3, 5	171.5	19.0	95.25	38.1	70.0	48.0	36.5	$\varnothing 20.5$	M18	$\varnothing 20.5$

Dimensions and specifications are subject to change without notice.



<http://www.sensolink.com> E-mail: sales@sensolink.com