

MK TPC3 Single ended shear beam

Material of elastomer:
Alloy steel or stainless steel

Description

Capacities: (E_{max})

50,100,200,250,500kg,1t,2t,2.5t(SE),2.5t(LE),3t,5t,7.5t,10t.
100,200,250,500lb,1k,2k,2.5k,5k(SE),5k(LE),10K,15K,20K.

Rated output:

2.0mV/V
Digital:1,000,000d

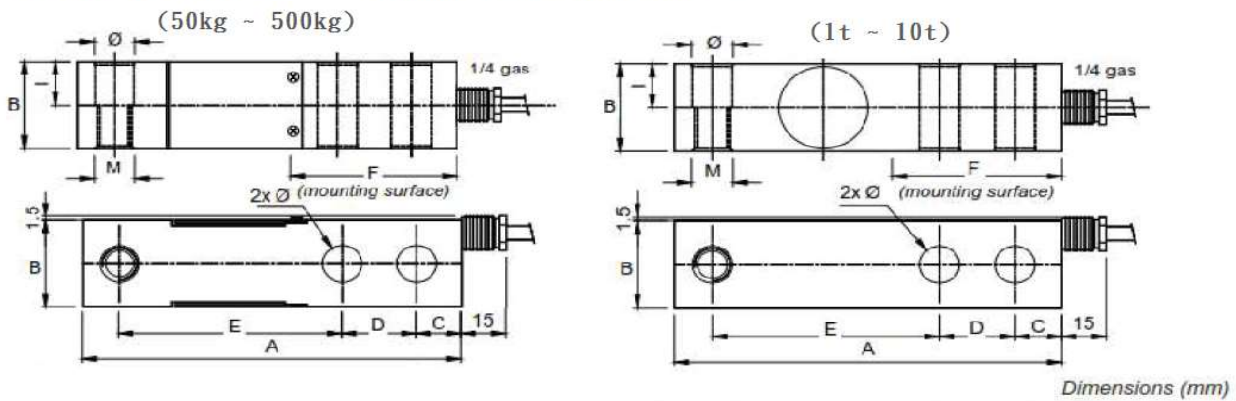
Execution standard:

Combined error: 0.02%
Sealed to IEC 529:
Protection grade: IP67 or IP68.



Dimensions

(In mm. 1mm = 0.03937 inches)



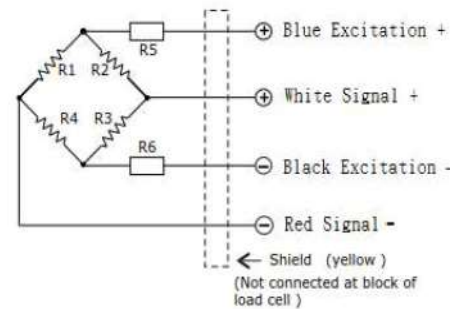
Capacity		M		A	B	C	D	E	F	Ø
kg	lb	mm	inch							
50,100,200,250,500,1t,1.5t,2t,2.5tSE	100,200,250,500,1k,2k,2.5k,4k,5kSE	M12x1.75	1/2-20	130.04	31.75	15.74	25.4	76.2	56.89	13.46
2.5t,5t	5k,10k	M18x1.5	3/4-16	171.45	38.1	19.05	38.1	95.25	76.2	20.06
7.5t,10t	15k,20k	M24x2	1-14	225.55	50.8	25.4	50.8	123.95	101.85	26.92

Specification

Item \ Parameter	C2/C3	Unit
Rated load (E _{max}):	50,100,250,500kg,1,2,2.5,3,5,7.5,10t	t
Maximal numbers of load cell verification Intervals (Nlc):	0.02	±% of rated output
Minimum load cell verification intervals Intervals (Vmin):	0.01	% of rated load
Rated output (Cn):	3.0 ± 0.1%	mV/V
*Combined error:	0.02	±% of rated output
Temperature effect on sensitivity(Tkc):	0.0012	±% of rated output/°C
Temperature effect on zero balance(Tk0):	0.0008	±% of rated output/°C
Zero balance:	1.0	±% of rated output
Input resistance(Ric):	385 ± 5	Ω (Ohms)
Output resistance(Ro):	351 ± 2	Ω (Ohms)
Insulation resistance:	≥ 5000	MΩ (Mega-Ohms)
Safe overload:	150	% of rated capability
Ultimate overload:	300	% of rated capability
Operating temperature range:	-20~+70/-20~+160	°C / °F
Recommend excitation:	8~15	V (DC or AC)
Maximum excitation:	18	V (DC or AC)
Material of elastomer:	Alloy steel / Stainless steel	
Protection class:	IP67/IP68	

Circuit Diagram

Electrical Termination
4 Core cable standard lengths:
0.1~3t: 3m, 5t: 6m
Diameter: φ5
Connection:
Refer to the following drawing:



Notice:

Do not change the length of cable, or lese, it will effect the sensitivity of load cell.