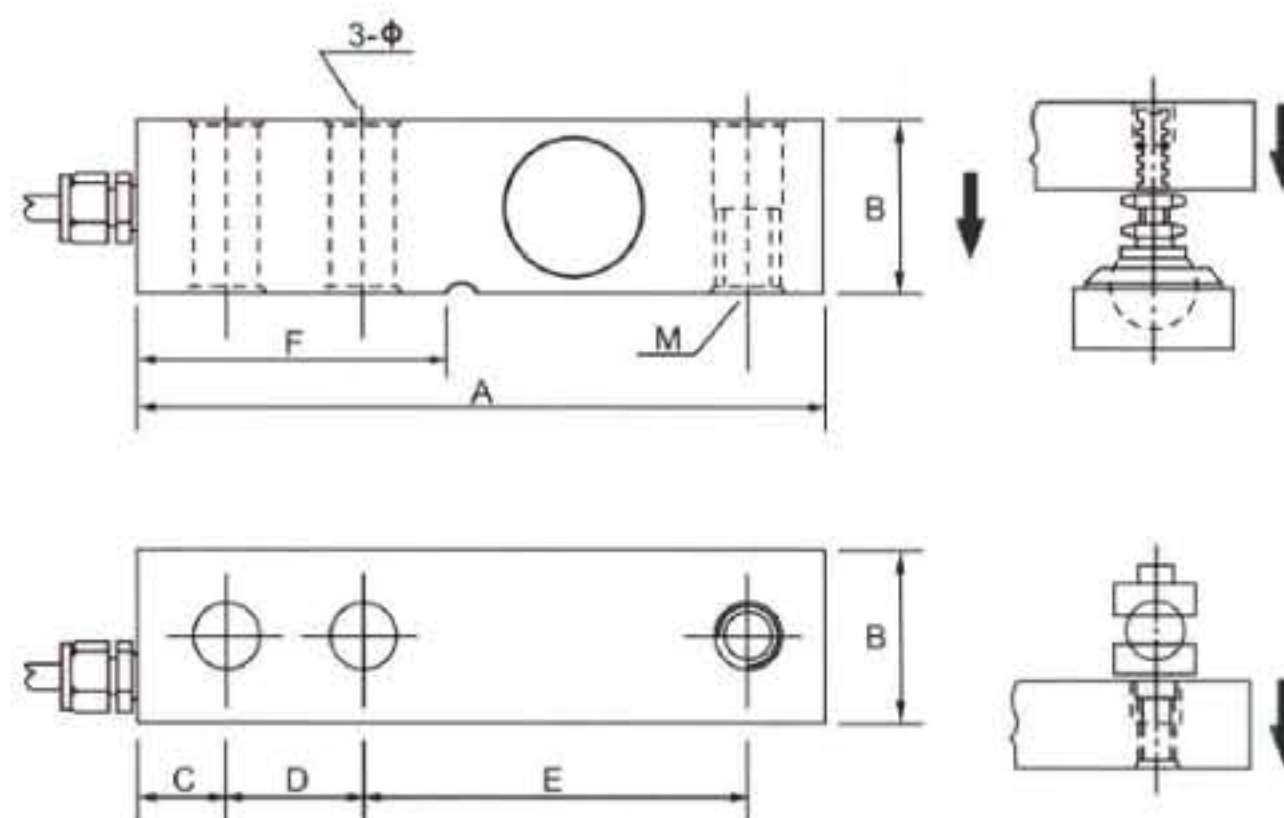


SLP1 Single Ended Shear Beam

Tool Steel/Stainless Steel



SPECIFICATIONS :

Rated Output	$3 \pm 0.01 \text{ mV/V FS}$
Nonlinearity	$\pm 0.02\% \text{ FS}$
Hysteresis	$\pm 0.02\% \text{ FS}$
Repeatability	$\pm 0.01\% \text{ FS}$
Creep	$\pm 0.02\% \text{ FS/30min}$
Zero Balance	$\pm 1\% \text{ FS}$
Temperature Effect On Zero	$\pm 0.02\% \text{ FS/10}^\circ\text{C}$
Temperature Effect On Rated Output	$\pm 0.02\% \text{ FS/10}^\circ\text{C}$
Input Resistance	$400 \pm 10 \Omega$
Output Resistance	$352 \pm 2 \Omega$
Insulation Resistance	$\geq 5000 \text{ M}\Omega$
Excitation Voltage	10(Recommended), 15(Max)VDC/AC
Compensated Temperature Range	$-10 \text{ to } +50^\circ\text{C}$
Operating Temperature Range	$-20 \text{ to } +60^\circ\text{C}$
Safe Overload	150% FS
Ultimate Overload	300% FS
Protection Class	IP 67
Cable Length	16.4' / 5m
Cable Color Code	Red + Excitation, Black -Excitation, Green + Signal, White -Signal

DIMENSIONS :

Capacity		M		A	B	C	D	E	F	ϕ
lb	kg	inch	mm							
100, 200, 250, 500 1k, 2k, 2.5k, 4k, 5KSE	50, 100, 200, 250, 500, 1t 1.5t, 2t, 2.5tSE	1/2-20	M12x1.75	5.12	1.25	0.62	1.00	3.00	2.24	0.53
5k 10k	2.5t, 5t	3/4-16	M18x1.5	6.75	1.50	0.75	1.50	3.75	3.00	0.79
15k 20k	7.5t, 10t	1-14	M24x2	8.88	2.00	1.00	2.00	4.88	4.01	1.06

Dimensions and specifications are subject to change without notice.



<http://www.sensolink.com> E-mail: sales@sensolink.com