



MK-TPM1

TPD1 Module

Description

Capacities: (Emax)
1, 2, 2.5, 5, 10, 20, 25, 35, 50, 75klb

Rated output:
3.0mV/V
Digital: 1,000,000d

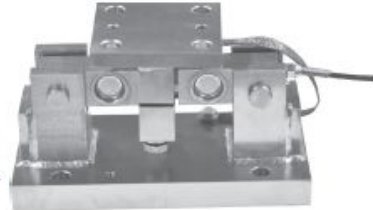
Grade/Accuracy:
C3 OIML R60

Material of elastomer:
Alloy steel or stainless steel

Execution standard:
GB/T 7551-2008 Certificate
(eqv OIML R60)

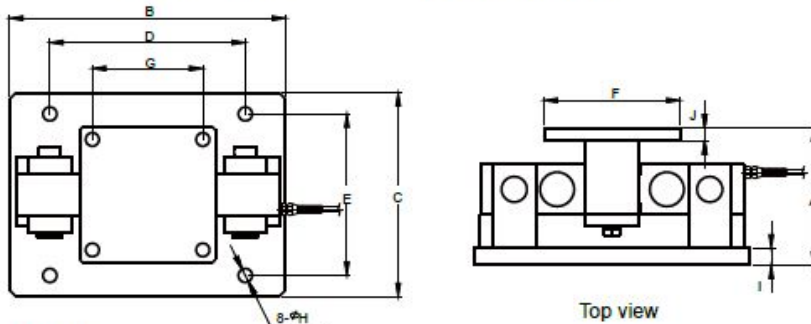
Combined error: 0.015%

Sealed to IEC 529:
Protection grade: IP67 or IP68.
Protection against total immersion
in water for 30 minutes at a pressure
corresponding to a 1 m head of water.



Dimensions

(In mm, 1mm=0.03937inches)

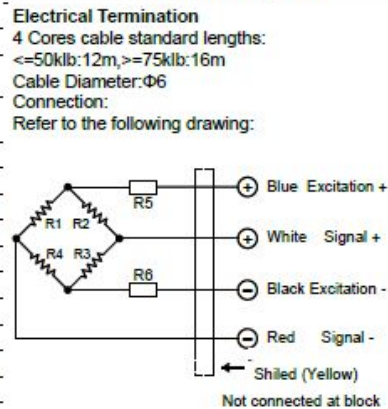


CAP./SIZE klb	A	B	C	D	E	F	G	H	I	J
1~5	130.3	237.3	127	158.8	95.3	101.6	69.9	14.2	23	12.7
10~35	200.7	304.8	203.2	190.5	152.4	203.2	152.4	19.8	19.1	19.1
50~75	236.2	412.8	228.6	292.1	241.3	228.6	165.1	20	25	25

Specification

Item/Parameter	C3	Unit
Rated load(Emax):	1,2,2.5,5,10,20,25,35,50,75	klb
Maximal numbers of loadcell verification intervals (Nlc):	3000	d
Minimum number of loadcell verification intervals (Vmin):	0.01	% of rated load
Rated output (Cn):	3.0 ± 0.3%	mV/V
*Combined error:	0.005	% of rated output
Temperature effect on sensitivity (Tkc):	0.0012	% of rated output/°C
Temperature effect on zero balance (Tk0):	0.0008	% of rated output/°C
Zero balance:	1.0	% of rated output
Input resistance (Rlc):	750 ± 10	Ω(Ohms)
Output resistance (Ro):	702 ± 5	Ω(Ohms)
Insulation resistance:	≥5000	MΩ(Mega-Ohms)
Safe overload:	150%	% of rated capacity
Operating temperature range:	-30~+70(180 Optional)	°C
Recommend excitation:	5~18	V(DC or AC)
Maximum excitation:	24	V(DC or AC)
Material of elastomer:	Alloy Steel / Stainless Steel	
Protection class:	IP67/IP68	

Circuit Diagram



Note:
6 Cores cable is optional.
Do not change the length of cable, or lese,
it will effect the sensitivity of load cell.

