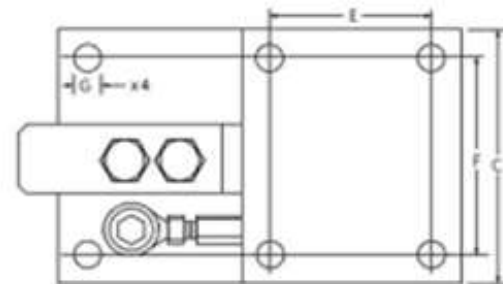
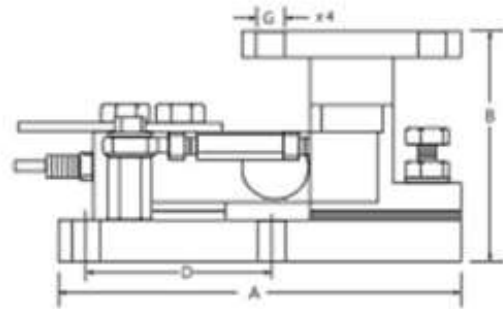




# TPM3 Load Cell Mounting Kit For SLB3/TPC3

Stainless Steel/Alloy Steel

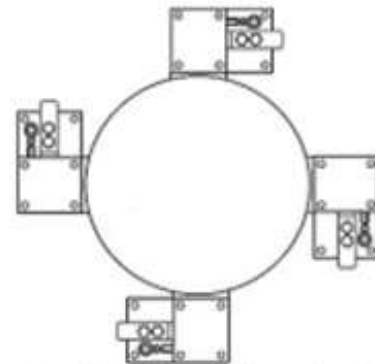


## APPLICATIONS:

- Built in horizontal movement control lift-off and side load protection.
- Provides an ideal solution for process control.
- For hopper silo and feeder scales applications.
- Combined with SLB Load Cell mounting.

## STANDARD FEATURES

- Capacities: 50~2500kg and 2500~5000kg.
- Stainless steel or Nickel plated alloy steel versions available.
- Mounting kits include ground wire.
- Built in Load Cell wire connector protect.
- Installation without jack.
- Built side load check rod.
- Installation without dummy cell.



Mounting kit installation direction

## DIMENSIONS:

mm ± 2

Load cell capacity	A	B	C	D	E	F	G
50~2500Kg	184	110	116	84	74	90	Ø12
2500~5000Kg							

Dimensions and specifications are subject to change without notice.